

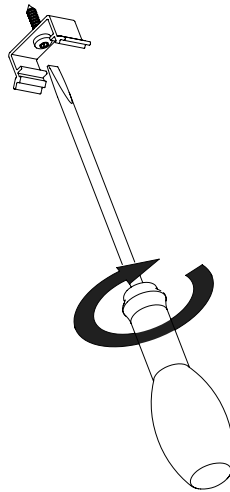
# Grace line System

Installation manual – ceiling

1

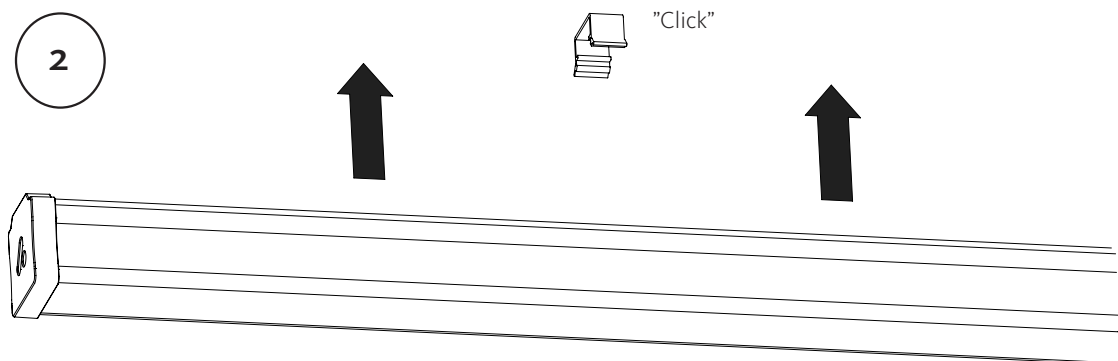
**Installation:** Attach the ceiling clips with screws designed for the current ceiling.

**Note:** The number of clips has to be designed depending on the luminaire length.



LENGTH OF MODULE	NUMBER OF CLIPS (INCLUDED)
1740 mm	2
2335 mm	2
2920 mm	4
3480 mm	4

2



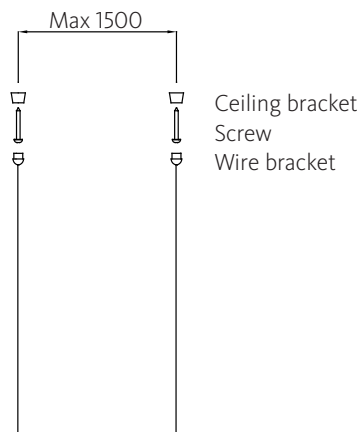
**Installation:** Attach the clips to the luminaire by clicking them to the profile.

# Grace line System

Installation manual – pendent

1

**Installation of ceiling mounts for wire:** Attach the ceiling brackets with screws designed for the current ceiling. Screw the wire brackets in the ceiling brackets.



LENGTH OF MODULE	NUMBER OF WIRE CLIPS (1 m WIRE-LENGTH INCLUDED)
1740 mm	2
2335 mm	2
2920 mm	4
3480 mm	4

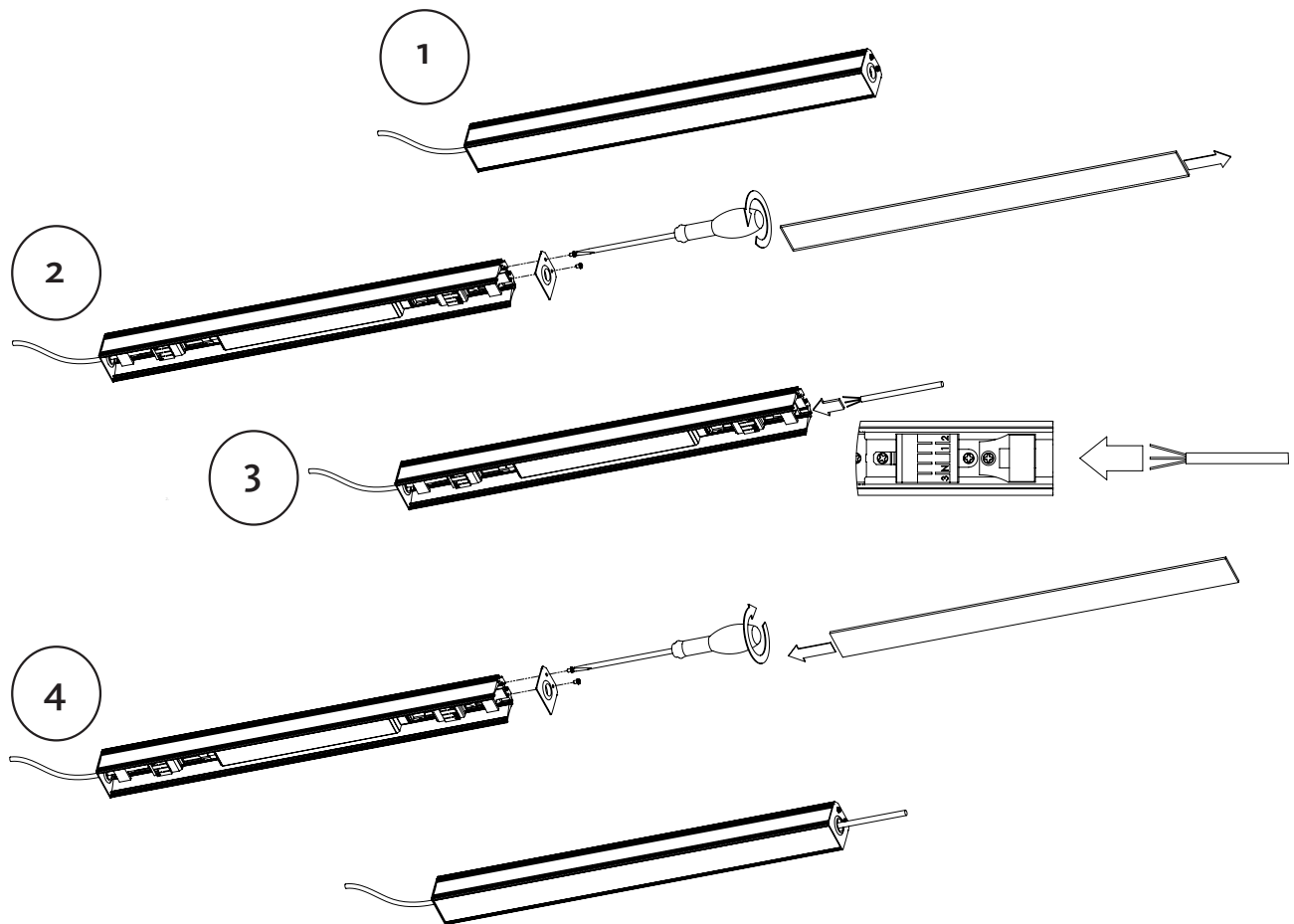
2

**Installation:** Attach the wires to the luminaire by clicking them to the profile. Adjust to the proper height and cut off the excess wire (approx. 1 cm from wire lock). The luminaire connection cable can be attached to wire with cable ties.



# Grace line System

Installation manual – driverbox



The ceiling clips are suitable even for the driverbox if mount in ceiling for this is desirable.