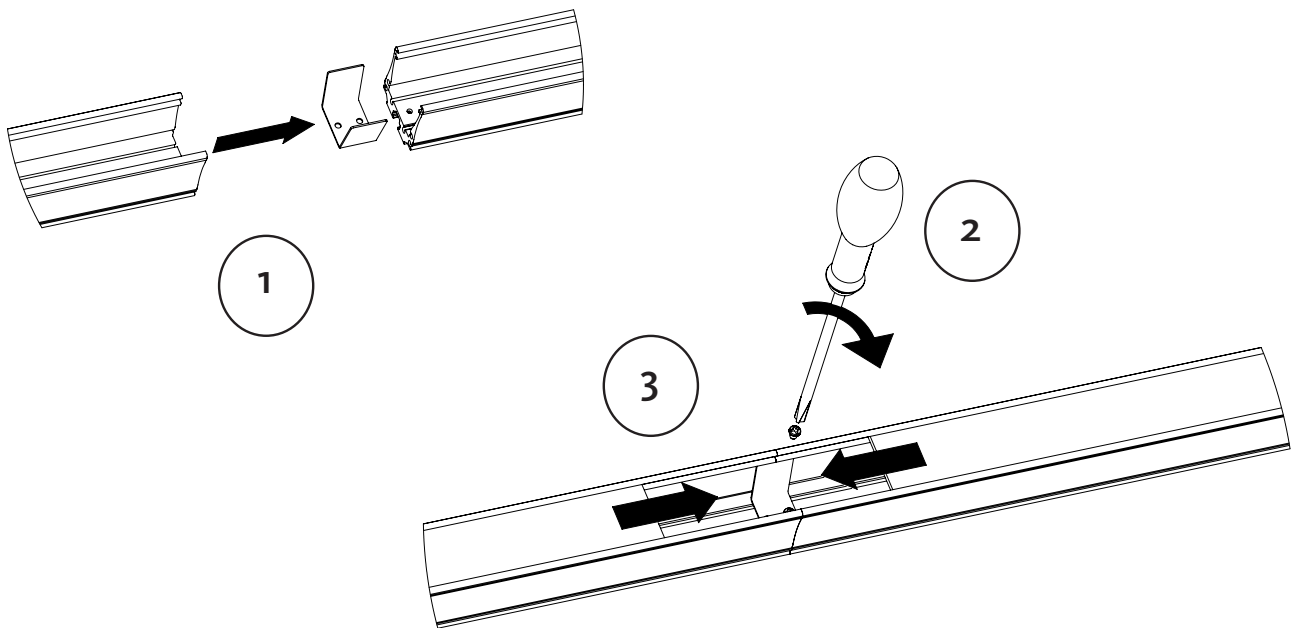


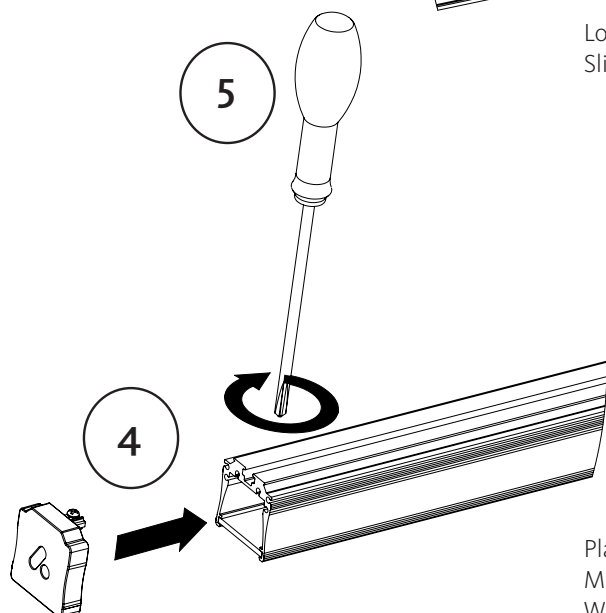
Grace line System Linear Connection

Installation manual

Slide the connector plate into the luminaire module and lock with enclosed screw. Then press the modules together.



Lock the modules together with the last screw.
Slide the diffusers together over the joint.



Place the gable at the end of the module and push it into the spline.
Minor force might be needed, use the hand or a rubber hammer.
When the gable is in bottom, lock it with the screw on top.